

# Info



## MCG Cantilever Sliding Gate

### Description

The MCG series of Magnetic Cantilever slide gates are designed for commercial, industrial and security applications. The Cantilever system eliminates the need for ground tracks and overhead rails. The MCG gate allows for a variety of motors and controllers to be used dependant upon the required duty cycle of the gate.

### Construction

Fully welded RHS steel section is used in the manufacture of the gate frame, support frame and back runner. All fabricated steel is hot dipped galvanized for total protection and maximum life time.

The design of the gate allows for single leaf spans of up to twelve (12) meters.

### Drive Technology

The construction of the MCG Gate System allows for a variety of motors and controllers to be used dependant upon the required duty cycle of the gate. Please contact your local Magnetic Automation Pty Ltd office for further details.

All systems can be back up with Uninterruptible Power Supply (UPS) if required.

### Safety

The following safety points should be observed.

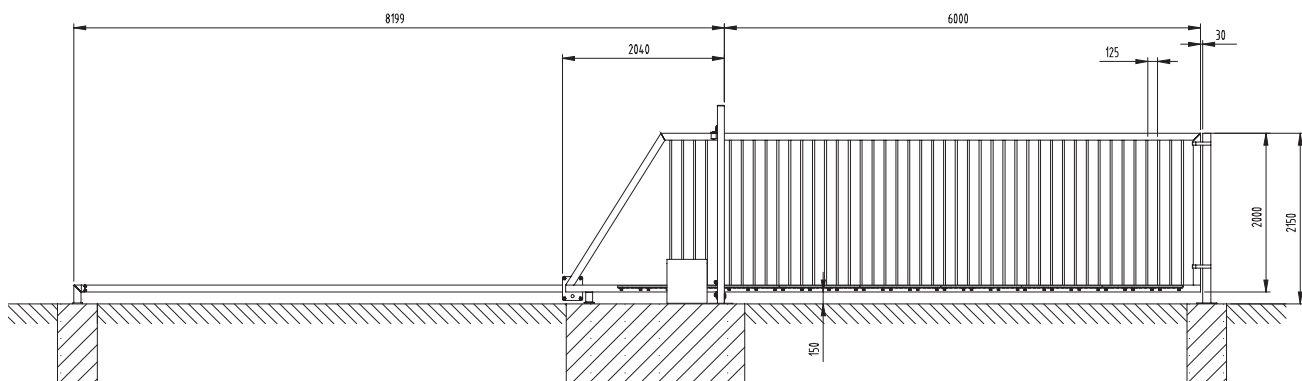
Safety devices such as PE Beams, inductive loop detectors and safety edge strips are available and are recommended for use on all automatic gate systems.

The concrete foundations are to be provided in accordance to the works drawings as provided by Magnetic Automation Pty Ltd. For permanent electrical installation a switch for disconnection to mains power is to be provided. Opening and closing operations must be observed.

### Options

A variety of options are available including spikes, chain wire mesh and cladding. Bi parting gates can be applied to wide roadways.

Further safety options such as Flashing Lights, Audible Alarm and signage etc. are available and recommended for use on automatic gate systems.



Melbourne  
14A Tullamarine Park Drive,  
Tullamarine Victoria, 3043.  
Phone: 1300 364 864  
Fax: 03 9338 1398  
e-mail: info@magnetic-oz.com  
Home page: www.ac-magnetic.com

Sydney  
Unit 1, 49-51 Prime Drive,  
Seven Hills, New South Wales, 2147.  
Phone: 02 9620 8011  
Fax: 02 9620 8015  
e-mail: nswsales@magnetic-oz.com  
Home page: www.ac-magnetic.com

Brisbane  
Unit 8, 87 Webster Road  
Stafford, Queensland 4053  
Phone: 07 3856 5222  
Fax: 07 3856 5255  
e-mail: qldsales@magnetic-oz.com  
Home page: www.ac-magnetic.com

Perth  
3/15 Denninup Way,  
Malaga, Western Australia 6090  
Phone: 08 9209 2029  
Fax: 08 9209 2550  
e-mail: jbarty@magnetic-oz.com  
Home page: www.ac-magnetic.com