



## Control Column MAGSTOP

### MEC 10M-A100 (CAR) MEC 10E-A100 (CAR) Control Posts

#### Description

Magnetic entry and exit control terminals can be used in varied applications and individual system solutions, such as:

- company entrances and exits
- car parks
- multi-storey car parks
- sliding or rolling gates
- turnstiles
- automatic weighing scales

#### Housing

The control column has been designed to match the barrier housing. The high-quality and robust housing is manufactured from 2 mm zinc phosphated sheet steel then powder coat finished in RAL 2000 (orange) not bleaching and not harmful to the environment.

The removable front plate and the front door, which is fitted with a lock, offer optimum accessibility for maintenance and service.

The removable front door gives the control column the character of a switch cabinet and provides optimum accessibility. It also has sufficient space for mounting additional electrical components.

M8 shear connectors are supplied for customer mounting on a concrete foundation.

#### Design

##### MEC 10E-A100

Control column for car / lorry traffic

This consists of two Midi control columns with the option of internally interconnecting mains supply and control wiring.

#### Integrable Components

The slim design means that the Midi control column is perfectly suited for use in narrow driveways or in other situations where there are space restrictions caused by surrounding building structures. The large mounting space inside the 3 mm thick front door made of natural anodised aluminium still provides

enough space for Magnetic entry-control components, for instance:

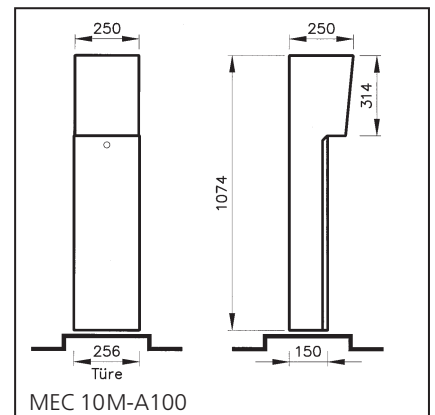
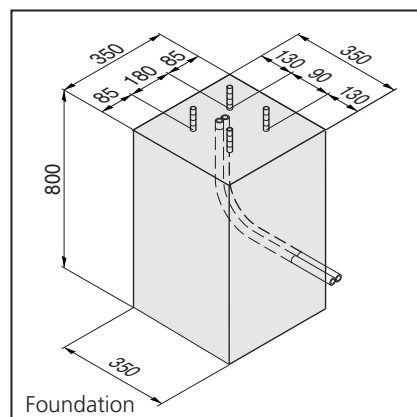
- intercom systems
- card readers
- magnetic card readers
- inductive card readers
- proximity readers
- coin readers
- token readers
- number code keyboards
- key switches
- customer provided components
- electrical connection unit, consisting of
  - mains lead clamp, connection terminals, and mains socket
  - 200 Watt thermostatically controlled fan heating
- cutting 215 x 270 mm

The mounting position and the number of devices can be individually determined inside the front panel (see illustration MEC 10M-A100 or MEC 10E-A100).

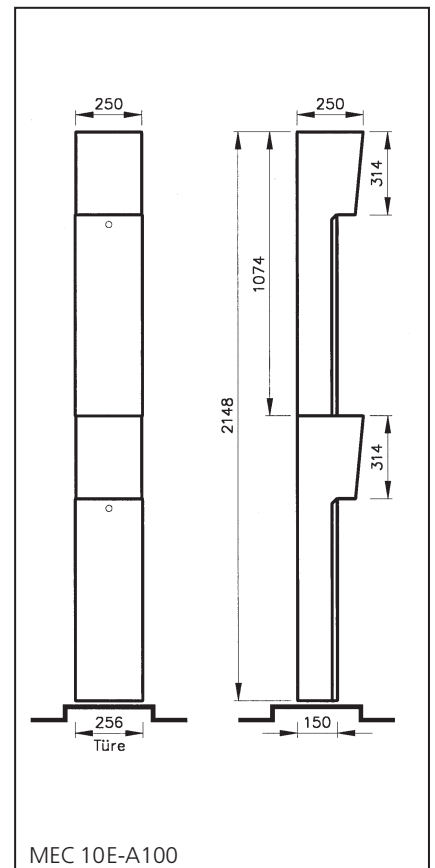
#### Foundation

The foundation must be produced by the customer according to the guidelines in Magnetic Info MF5115.

Steel reinforcement bars are not necessary for control columns.



MEC 10M-A100



MEC 10E-A100

