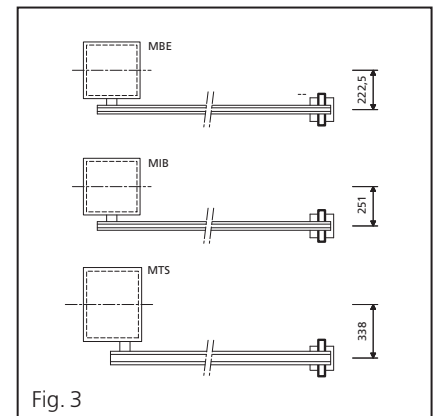
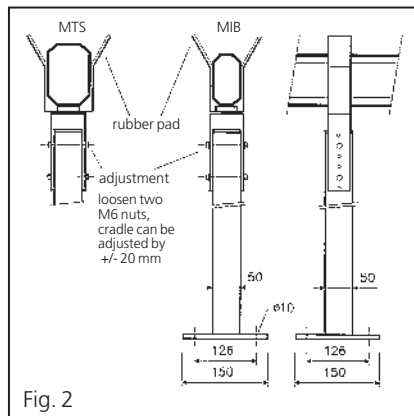
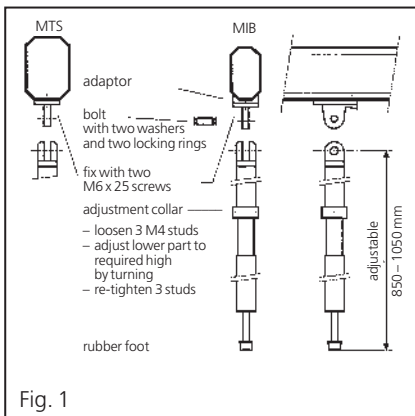




Barriers Accessories MAGSTOP

Pendulum support Support post Boom locking



Pendulum support

The Magnetic pendulum support is used with boom lengths exceeding 3.5 m to cushion and support the boom in the horizontal position. Bouncing of the boom is prevented by the cushioning action of the pendulum support.

Assembly:

For the barrier boom MSB 6 there is one and for the barrier boom MSB 5 there are two possibilities of fixing.

1.) The pendulum support is provided with a fixing plate. The boom (MSB 6) has insert nuts to accept two M6 x 25 cheese-head screws with spring washers.

2.) The barrier boom (MSB 5 - MIB) has a profile on which the the fixing material (2 thread plates) is pushed up to the red marking and the pendulum support is fixed with two screws M6 x 20 and lock washers (see picture 4).

Adjustment:

Three studs are located at the thicker part of the upper tube. After the studs are loosened, the lower section of the pendulum support can be adjusted by means of the built-in threaded spindle.

When the boom is in the horizontal position, the distance between the rubber foot and the tube should be about 5 mm. This results in a good damping effect and prevents the

rubber foot freezing onto the tube in the winter. After adjustment has been carried out, the three studs must be tightened again.

Support post

The Magnetic support post is used with boom lengths which exceed 3.5 m, to support the boom in the horizontal position. The support post is constructed from rectangular steel tubing with RAL 2000 powder coating. The cradle section at the top is designed to accommodate all Magnetic booms.

Installation:

Installation of the support post is effected by means of the base plate onto a foundation

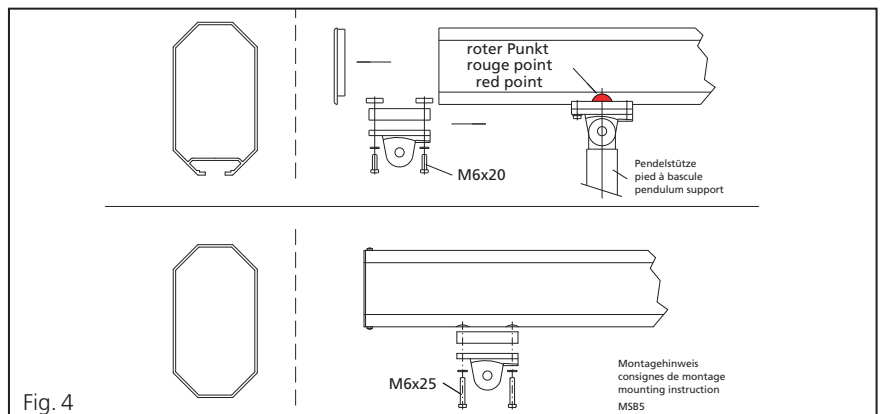
with anchor bolts provided by the builder. All required plugs, bolts and nuts are included in the equipment supplied.

When installing, it should be ensured that the boom sits correctly in the cradle when it is in the horizontal position.

Adjustment:

The cradle can be adjusted by ± 20 mm to permit compensation for differences in height between the barrier foundation and the support post foundation.

Additionally, a pendulum support is recommended as damping for the lower position, so that the boom falls gently into the cradle.



Foundation:

When preparing the foundation, it should be ensured that the barrier and post foundations are at the same level. The bottom of the foundation should measure about 200 x 200 mm, and should be located at the frost-line depth of 800 mm.

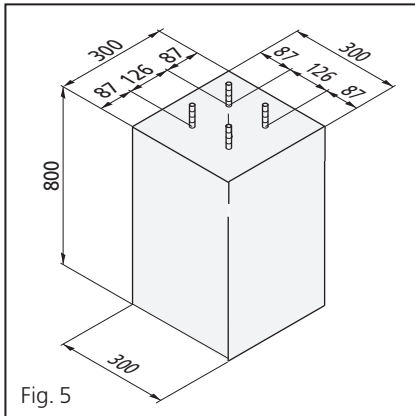


Fig. 5

Boom locking

The Magnetic boom lock offers optimum protection against forcible opening of the barrier boom.

The lock is installed inside the barrier boom with the electrical leads passing through the boom and into the barrier housing which ensures protection against corrosion, misuse or vandalism.

During the position "Off", as shown in figure 6, the lock is energised with the resultant warmth, from the solenoid, preventing condensation and corrosion, thus ensuring reliable operation, particularly in winter.

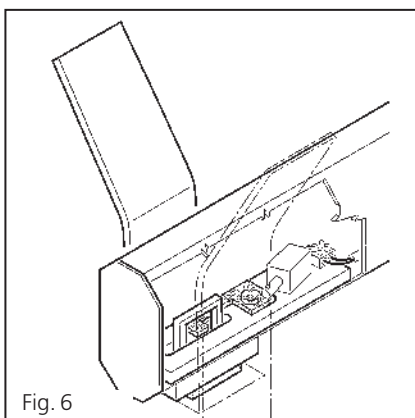


Fig. 6

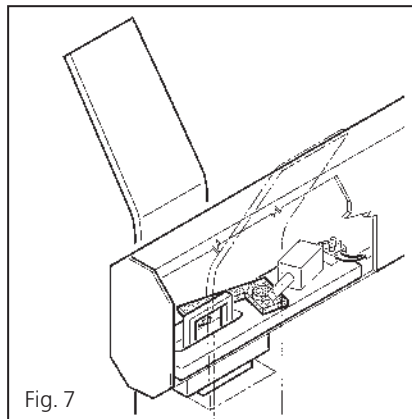


Fig. 7

In case of power failure the device locks automatically, as shown in figure 7; the barrier boom can be opened manually as shown in figure 8.

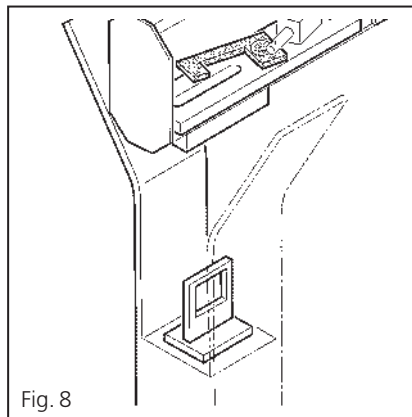


Fig. 8

To ensure correct functioning of the lock the barrier boom must not rest heavily on the support pillar. If necessary the locking plate or barrier boom must be re-adjusted.

For the installation, adjustment and guidelines for the foundations please refer to the leaflet on the supporting pillar.

Control Unit MMV

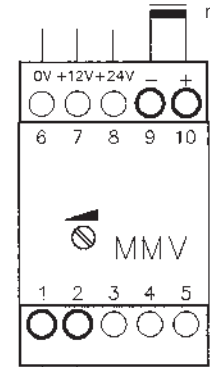
The control unit, figure 9, was developed to control the lock and can be combined with all Magnetic control units as shown in figure 5. It is mounted, and wired, on the hinged mounting plate and is adjusted at the factory.

The lock can be altered to suite local requirements, or boom lengths, with the time adjusted by the potentiometer on the front panel.

The locking time is 10 seconds after the boom closes.

pulse for locking device given by terminals:

MLC	34	37	
MUB	26	29	locking
EBS2	14	15	24V DC max. 175 mA



230V 50 Hz mains supply

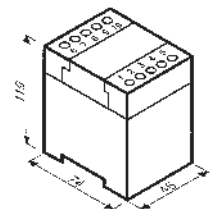


Fig. 9

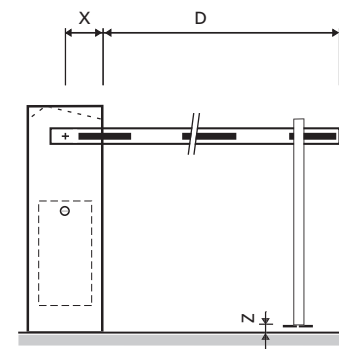
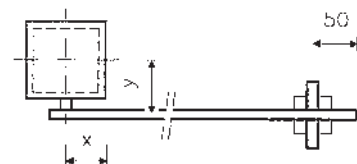


Fig. 10



MBE	x = 225	y = 222,5	z = ---
MIB	x = 175	y = 250	z = 10
MTS	x = 105	y = 340	z = ---

Fig. 11