

# Terminal-MS, -MH, -ML

Free-standing housings

**mAGNETIC**<sup>®</sup>  
ACCESS TO PROGRESS



## For installation according to customer requirements

MS, MH and ML Terminals are the optimum functional and design supplements for all Magnetic barriers. They offer a universal platform for customer-specific equipment – for intercom systems and video monitoring or for complex access and exit control systems. The Terminals are made of aluminium and stainless steel, and are thus designed for long service lives. The front consists of a front cover that can be slid out on telescope rails and

a slot-in door which can only be opened with a single key. Service technicians therefore have easy access to all installed components. The Terminals from Magnetic are available in three designs. With a height of 1.2 m, the MS and MH models are only intended for car traffic and differ in the size of the equipment areas offered. The ML model is 2.2 m tall and offers two separate equipment areas. It is suitable for both car and truck traffic.



### Versatile control systems

Whether an intercom system, video camera, card reader, ticket system or biometric identification – any access control system required can easily be integrated into Terminals from Magnetic.



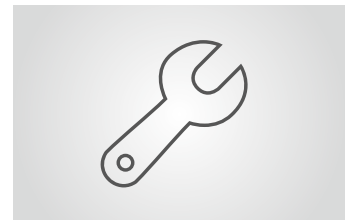
### Award-winning design

With their shape and colours, the Terminals ideally complement the multi-award-winning access barriers from Magnetic.



### Optimal corrosion protection

The stainless steel base and the housing made of powder-coated aluminium offer optimal long-term protection against corrosion.



### Easily accessible components

Two simple hand movements: the terminal's front panel slides out on telescopic rails and the door is easily detached. This increases ease-of-use and accelerates commissioning and servicing.

# Terminal-MS, -MH, -ML




- > Universal platform for a wide variety of equipment
- > Shape and colours based on prize-winning design of Access barriers
- > Slide-out front cover for simple commissioning and maintenance
- > Maximum protection against corrosion



Technical data	Terminal-MS	Terminal-MH	Terminal-ML
Application	Cars	Cars	Cars and trucks
Housing dimensions (W x H x D)	296 x 1202 x 266 mm	296 x 1202 x 266 mm	296 x 2202 x 266 mm
Installation space (W x H)	209 x 337 mm	209 x 487 mm	209 x 337 mm (2 x)
Weight	15 kg	15 kg	27 kg
Front cover design	Slide out on telescopic rails	Slide out on telescopic rails	Slide out on telescopic rails
Housing design	Powder-coated aluminium	Powder-coated aluminium	Powder-coated aluminium
Base design	Stainless steel	Stainless steel	Stainless steel
Enclosure rating	IP 54	IP 54	IP 54

Options	Terminal-MS	Terminal-MH	Terminal-ML
Connection plate	✓	✓	✓
Heating	✓	✓	✓
Key switch	✓	✓	✓
Coin validator	✓	✓	✓
Code keyboard	✓	✓	✓
RFID reader	✓	✓	✓

## Standard colours, housing

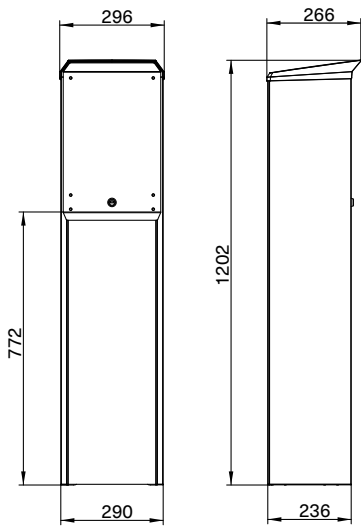
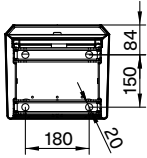
		
Orange (RAL 2000)	White aluminium (similar to RAL 9006)	Grey aluminium (similar to RAL 9007)

## Standard colours, front and back

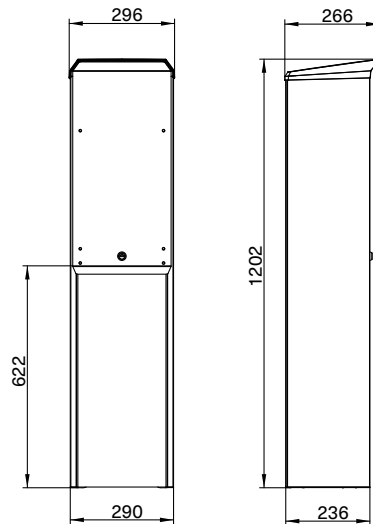

Black grey (similar to RAL 7021)

## Dimensional drawings

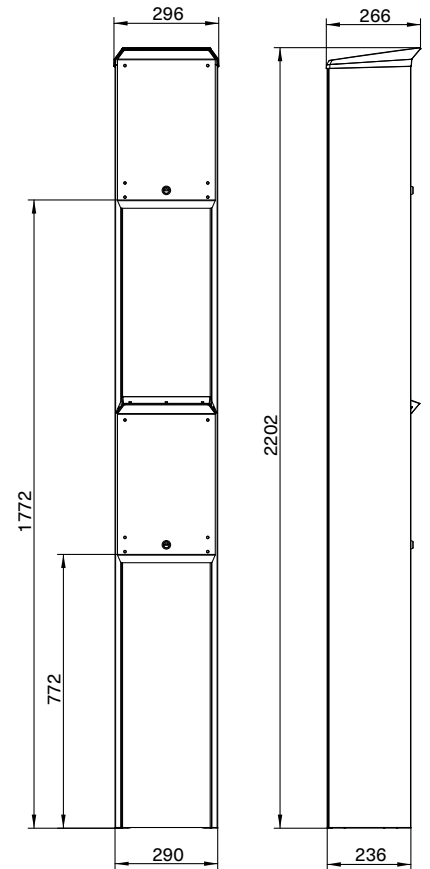
Teminal-MS, -MH and -ML: View from above



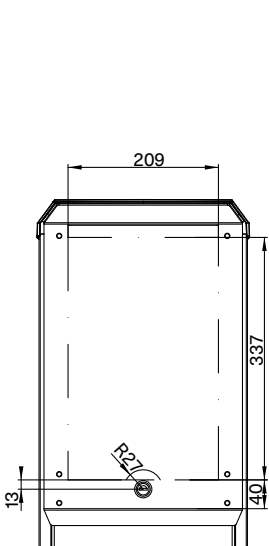
Teminal-MS:  
View from front and from side



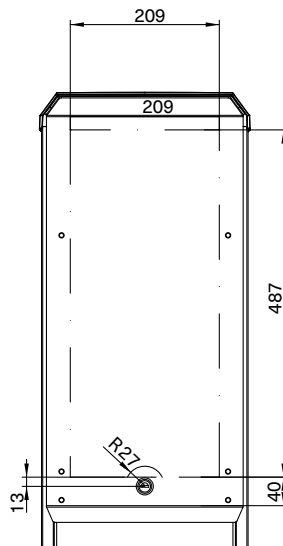
Teminal-MH:  
View from front and from side



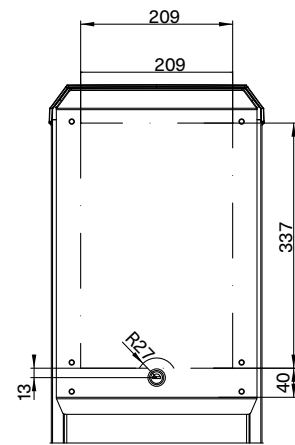
Teminal-ML:  
View from front and from side



Teminal-MS:  
Detailed view of front cover



Teminal-MH:  
Detailed view of front cover



Teminal-ML:  
Detailed view of front cover

# Access to Progress

Magnetic stands for pioneering products – in every way. Our access control systems for vehicles or pedestrians clear the way for thousands of people every day – at car parks, toll gates, stations, airports and in buildings. Our technology is also pioneering, however: with innovative drives, intelligent control systems and well thought-out details it provides maximum safety and longevity. Are you also on the path to Magnetic?



## Vehicle barriers

Access barriers  
Parking barriers  
Toll barriers  
Special barriers



## Pedestrian gates

Turnstiles  
Swing gates  
Tripod gates  
Retractable gates  
Wing gates



## Terminals

Cars  
Trucks

*Germany*  
**MAGNETIC AUTOCONTROL GMBH**  
Grienmatt 20  
79650 Schopfheim  
Phone +49 7622 695-5  
Fax +49 7622 695-800  
E-mail [info@magnetic-germany.com](mailto:info@magnetic-germany.com)

*Australia*  
**MAGNETIC AUTOMATION PTY LTD**  
38 Metrolink Circuit  
Campbellfield, VIC 3061  
Phone +61 3 9339 2900  
E-mail [info@magnetic-oz.com](mailto:info@magnetic-oz.com)

*Austria*  
**FAAC GMBH**  
Münchner Bundesstraße 123  
5020 Salzburg  
Phone +43 662 853395-0  
E-mail [at.info@faacgroup.com](mailto:at.info@faacgroup.com)

*Benelux countries*  
**FAAC BENELUX NV/SA**  
Industriezone 3B  
8490 Jabbeke  
Belgium  
Phone +32 50 320202  
E-mail [info@magnetic-benelux.com](mailto:info@magnetic-benelux.com)

*Brazil*  
**MAGNETIC AUTOCONTROL LTDA**  
Av. Salim Antônio Curciati, 136  
04690-050 – São Paulo  
Phone +55 11 5660 8500  
E-mail [info@magnetic-br.com](mailto:info@magnetic-br.com)

*China*  
**MAGNETIC CONTROL SYSTEMS CO., LTD**  
No. 3 Building, No. 51  
Lane 1159, Kang Qiao (East) Road  
Kang Qiao Industrial Zone, Shanghai  
Phone +86 21 68182970  
E-mail [info@magnetic-cn.com](mailto:info@magnetic-cn.com)

*France*  
**FAAC FRANCE**  
377 Rue Ferdinand Perrier  
69808 St Priest Cedex  
Phone +33 4 72 21 86 89  
E-mail [info@magnetic-fr.com](mailto:info@magnetic-fr.com)

*India*  
**MAGNETIC FAAC INDIA PVT LTD.**  
PRS Centre  
Plot No. 373 to 376, 2nd Floor (West Wing)  
1st Cross Street, Nehru Nagar  
Old Mahabalipuram Road  
Kottivakkam (Opp Rayala Technopark, Perungudi)  
Chennai 600041  
Phone +91 44 421 23297  
E-mail [info@magnetic-india.com](mailto:info@magnetic-india.com)

*Middle East*  
**FAAC MIDDLE EAST FZE**  
Dubai Silicon Oasis  
PO Box 54886  
Dubai  
United Arab Emirates  
Phone +971 4 3724193  
E-mail [info@magnetic-uae.com](mailto:info@magnetic-uae.com)

*N. and S. America (excl. Brazil)*  
**FAAC INTERNATIONAL, INC**  
3160 Murell Road  
Rockledge, FL 32955  
USA  
Phone +1 321 635 8585  
E-mail [info@magnetic-usa.com](mailto:info@magnetic-usa.com)

*Scandinavia*  
**FAAC NORDIC AB**  
Box 125  
284 22 Perstorp  
Sweden  
Phone +46 435 77 95 03  
E-mail [info@magnetic-nordic.com](mailto:info@magnetic-nordic.com)

*Southeast Asia*  
**MAGNETIC CONTROL SYSTEMS SDN. BHD**  
No. 17, Jalan Anggerik Mokara 31/54  
Taman Perindustrian Kota Kemuning  
40460 Shah Alam  
Selangor Darul Ehsan  
Malaysia  
Phone +60 3 5123 0033  
E-mail [info@magnetic-malaysia.com](mailto:info@magnetic-malaysia.com)